

CATALOGUE CHAUFFAGE PAR RAYONNEMENT

2026

Radiant gaz et radiant électriques



7.1

PANRAD RADIANT TUBES

With gas burner G20 - G25 - G30 - G31

PANRAD radiant tubes, ON/OFF

IMAGE	CODE	DESCRIPTION	POWER kW
	FRA2-3	Lenght 3 m weight 53 kg	15
	FRA2	Lenght 6 m weight 83 kg	20
	FRA3	Lenght 6 m weight 83 kg	30
	FRA4.1	Lenght 6 m weight 83 kg	35
	FRA4	Lenght 6 m weight 83 kg	40
	FRA5	Lenght 6 m weight 83 kg	50
	FRB3	Lenght 9 m weight 118 kg with insulation and 7-sided reflecting sheet	30
	FRB4	Lenght 9 m weight 118 kg	40
	FRB4.1	Lenght 9 m weight 118 kg	45
	FRB5	Lenght 9 m weight 118 kg	50
	FRC4	Lenght 12 m weight 148 kg	40
	FRC5	Lenght 12 m weight 148 kg	50
	FRB5.1	Lenght 9 m weight 119 kg	55
	FRC5.1	Lenght 12 m weight 150 kg	55

PANRAD radiant tubes, 2 STAGES

IMAGE	CODE	DESCRIPTION	POWER kW
	FRA2S2	Lenght 6 m weight 53 kg	10 - 20
	FRA3S2	Lenght 6 m weight 83 kg	20 - 30
	FRA4.1S2	Lenght 6 m weight 83 kg	30 - 35
	FRA4S2	Lenght 6 m weight 83 kg	30 - 40
	FRA5S2	Lenght 6 m weight 83 kg	40 - 50
	FRB4S2	Lenght 9 m weight 118 kg	30 - 40
	FRB4.1S2	Lenght 9 m weight 118 kg	30 - 45
	FRB5S2	Lenght 9 m weight 118 kg	30 - 50
	FRC5S2	Lenght 12 m weight 148 kg	40 - 50
	FRB5.1S2	Lenght 9 m weight 119 kg	40-55
	FRC5.1S2	Lenght 12 m weight 150 kg	40-55

7.2

PANRAD SUPPLEMENTS

Supplement for Panrad radiant tubes delivered in 3 m pieces

IMAGE	CODE	DESCRIPTION	
	T601S1	supplement 3 MT for Panrad 6 MT <50kW	apiece
	T601S3	supplement 3 MT for Panrad 9 MT <50kW	apiece
	T601S5	supplement 3 MT for Panrad 12 MT <50kW - FRC4	apiece
	T601S6	supplement 3 MT for Panrad 24 MT <50kW - FRC5	apiece
	T601S1.2I	supplement 3 MT for Panrad 6 MT >50kW	apiece
	T601S10I	supplement 3 MT for Panrad 15 MT >50kW	apiece
	T601S11I	supplement 3 MT for Panrad 18 MT >=50kW	apiece
	T601S13I	supplement 3 MT for Panrad 24 MT >= 50kW	apiece
	T601S2	supplement 3 MT for Panrad 9 MT 40/45 kW	apiece
	T601S4I	supplement 3 MT for Panrad 9 MT >50kW	apiece
	T601S6I	supplement stainless steel 3 MT for Panrad 12 MT >50kW - RC5	apiece
	T601S7	supplement 3 MT for Panrad 12 MT <50kW	apiece
	T601S8	supplement 3 MT for Panrad 18 MT <50kW	apiece



TK004	Flanged kit for PANRAD sealed burner intake; Flange kit sold separately	apiece
-------	---	--------



T954	Stainless steel roof terminal for intake/exhaust fumes	apiece
------	--	--------



T953	Stainless steel wall terminal for intake/exhaust fumes	apiece
------	--	--------



1062250	AISI 304 stainless steel U shaped bend 90° ø 80 mm	apiece
---------	--	--------



1062850	Stainless steel sectional U bend 90° with gasket	apiece
---------	--	--------



1063159	Stainless steel narrow band ø 80 mm	apiece
---------	-------------------------------------	--------



1062300	AISI 304 Stainless steel Pipe ø 80 mm 1 m. long	apiece
---------	---	--------



1038103	AISI 304 Stainless steel Pipe ø 80 mm with gasket, lenght 0,20 m	apiece
---------	--	--------

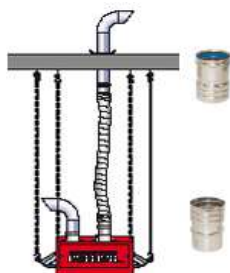
1038104	AISI 304 Stainless steel Pipe ø 80 mm with gasket, lenght 0,45 m	apiece
---------	--	--------

1038105	AISI 304 Stainless steel Pipe ø 80 mm with gasket, lenght 0,95 m	apiece
---------	--	--------



1030203	AISI 316 Stainless steel flexible Pipe ø 80 mm (smooth internal)	apiece
---------	--	--------

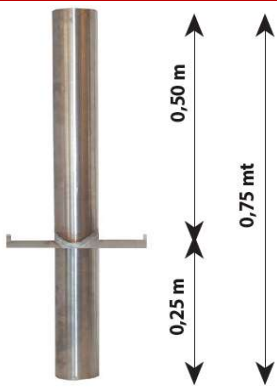
flexible pipe connection / chimney flashing



1066213	Stainless steel flexible pipe Connection (flexible/flashing)	apiece
---------	--	--------

burner connection / flexible pipe

1066208	Stainless steel flexible pipe Connection with gasket (burner/flex) with gasket	apiece
---------	--	--------



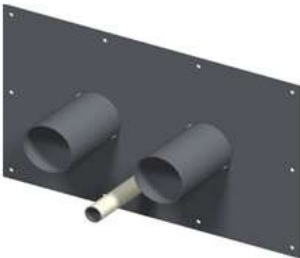
T870	Flashing for intake/exhaust fumes chimney used for roofings with frets	apiece
T871	Flashing for intake/exhaust fumes chimney used for roofing with frets10%	apiece
T872	Flashing for intake/exhaust fumes chimney used for roofing with frets15%	apiece
T873	Flashing for intake/exhaust fumes chimney used for roofing with frets20%	apiece
T874	Flashing for intake/exhaust fumes chimney used for roofing with frets25%	apiece
T875	Flashing for intake/exhaust fumes chimney used for roofing with frets>25%	apiece
T898	Flashing for intake/exhaust fumes chimney used for roofing with frets(drawing)	apiece



T891	Flashing for intake/exhaust fumes chimney used for flat sheathing sheet roof,	apiece
T885	Flashing for intake/exhaust fumes chimney used for sheathing sheet roof. 10%	apiece
T886	Flashing for intake/exhaust fumes chimney used for sheathing sheet roof. 15%	apiece
T887	Flashing for intake/exhaust fumes chimney used for sheathing sheet roof. 20%	apiece
T888	Flashing for intake/exhaust fumes chimney used for sheathing sheet roof. 25%	apiece
T896	Flashing for intake/exhaust fumes chimney used for sheathing sheet roofings	apiece



T892	Flashing for i./e. fumes chimney used for flat asbestos cement roofings	apiece
T880	Flashing for i./e. fumes chimney used for asbestos cement roofings 10%	apiece
T881	Flashing for i./e. fumes chimney used for asbestos cement roofings 15%	apiece
T882	Flashing for i./e. fumes chimney used for asbestos cement roofings 20%	apiece
T883	Flashing for i./e. fumes chimney used for asbestos cement roofings 25%	apiece
T884	Flashing for i./e. fumes chimney used for asbestos cement roofings >25%	apiece



T900	Stainless steel shed flashing for intake/exhaust chimney ready for gas connectoin	apiece
------	---	--------



T903	Stainless steel flashing for intake/exhaust chimney with grill for air intake	apiece
	Please specify in the order the gradient of the flashing because this will be welded to the stainless steel pipe according tothis gradient.	

TK008	Concentric chimney kit for radiant tubes PANRAD	apiece
-------	---	--------



1038111	Linear element pipe-atrium Inox/inox L=1000 mm d.80x130	apiece
---------	---	--------



1063035	"T" connection 90° pipe-atrium Inox/inox d.80x130	apiece
---------	---	--------



1063221	Stopper 2 discharges pipe-atrium inox/inox d.80x130	apiece
---------	---	--------



1063169	Stainless steel narrow band ø 130 mm	apiece
---------	--------------------------------------	--------



1062104	Dispersion turret d.80x130 inox/inox	apiece
---------	--------------------------------------	--------



1062876	90° fixed bend "grip" d.80	apiece
---------	----------------------------	--------



1038107	AISI 304 Stainless steel Pipe ø 130 mm with gasket, lenght 0,20 m	apiece
---------	---	--------

1038108	AISI 304 Stainless steel Pipe ø 130 mm with gasket, lenght 0,45 m	apiece
---------	---	--------

1038109	AISI 304 Stainless steel Pipe ø 130 mm with gasket, lenght 0,95 m	apiece
---------	---	--------



1038103	AISI 304 Stainless steel Pipe ø 80 mm with gasket, lenght 0,20 m	apiece
---------	--	--------

1038104	AISI 304 Stainless steel Pipe ø 80 mm with gasket, lenght 0,45 m	apiece
---------	--	--------

1038105	AISI 304 Stainless steel Pipe ø 80 mm with gasket, lenght 0,95 m	apiece
---------	--	--------



1030203	Stainless steel flexible pipe Connection (flexible/flashing)	per meter
---------	--	-----------



1066213	Stainless steel flexible pipe Connection (flexible/flashing)	apiece
---------	--	--------



1066208	Stainless steel flexible pipe Connection with gasket (burner/flex)	apiece
---------	--	--------



1062850	Stainless steel sectional U bend 90° with gasket	apiece
---------	--	--------

IMAGE

CODE

DESCRIPTION

T800	Zinc plated small angular to fix the Panrad	apiece
T801	Zinc plated big angular to fix the Panrad	apiece
1025020	Ø 4 mm DIN chain	per meter
1027000	Ø 5/6 mm "S" hook	apiece
1144020	Black silionic paint (ca. 17 gr. for linear meter)	per kg
1143010	Silionic varnish thinner (120 gr. per each kg. of varnish)	per Liter
T997	REI120 Panel	apiece
T998	Wall REI120 Panel	apiece
TK005	"L" bracket for Panrad wall installation	apiece
FCPI(00)	Stainless steel burner protection covering for burner installation outdoors	apiece
TKPS3	Switch/plug kit ILME 3 poles for burner installation outdoors	apiece
TKPS4	Switch/plug kit ILME 4 poles for burner installation outdoors	apiece
TPM00002	Hole cover plate for outdoor panrad installation	apiece
T530	Heavy bracket (add one for each panrad installed outdoors)	apiece

7.7

PANRAD COMBUSTION UNITS AND EXHAUST F

Combustion units ON/OFF

IMAGE

CODE

DESCRIPTION

POWER



BFRA2-3	Tubes length 3 m, weight 17kg	15
BFRA2	Tubes length 6 m, weight 17kg	20
BFRA3	Tubes length 6 m, weight 17kg	30
BFRA4.1	Tubes length 6 m, weight 17kg	35
BFRA4	Tubes length 6 m, weight 17kg	40
BFRB3	Tubes length 9 m, weight 17kg	30
BFRB4	Tubes length 9 m, weight 17kg	40
BFRB4.1	Tubes length 9 m, weight 17kg	45
BFRC4	Tubes length 12 m, weight 17kg	40
BFRA5	Tubes length 6 m, weight 17kg	50
BFRB5	Tubes length 9 m, weight 17kg	50
BFRC5	Tubes length 12 m, weight 17kg	50
BFRB5.1	Tubes length 9 m, weight 17kg	55
BFRC5.1	Tubes length 9 m, weight 17kg	55

Combustion units 2 STAGES

IMAGE

CODE

DESCRIPTION

POWER



BFRA2S2	Tubes length 6 m, weight 17kg	10 - 20
BFRA3S2	Tubes length 6 m, weight 17kg	20 - 30
BFRA4.1S2	Tubes length 6 m, weight 17kg	30 - 35
BFRA4S2	Tubes length 6 m, weight 17kg	30 - 40
BFRB4S2	Tubes length 9 m, weight 17kg	30 - 40
BFRB4.1S2	Tubes length 9 m, weight 17kg	30 - 45
BFRA5S2	Tubes length 6 m, weight 17kg	40-50
BFRB5S2	Tubes length 9 m, weight 17kg	40-50
BFRC5S2	Tubes length 12 m, weight 17kg	40 - 50
BFRB5.1S2	Tubes length 9 m, weight 17kg	40-55
BFRC5.1S2	Tubes length 9 m, weight 17kg	40-55

IMAGE

CODE

DESCRIPTION



T700	3 m alluminium 3 faces reflecting sheet for 2 pipes	apiece
T704	Locking element for alluminium 3 faces reflecting sheet for 2 pipes	apiece
T703I	3 m stainless steel 3 faces reflecting sheet for 2 pipes	apiece
T7043	Locking element for stainless steel 3 faces reflecting sheet for 2 pipes	apiece



T707	3 m alluminium 7 faces reflecting sheet for 2 pipes	apiece
T7042	Locking element for alluminium 7 faces reflecting sheet for 2 pipes	apiece



T710	High efficiency 3 m alluminium reflecting sheet for 2 pipes	apiece
T7041	Locking element high efficiency 3 m allum. reflecting sheet for 2 pipes	apiece



T706	3 m wall reflecting sheet	apiece
------	---------------------------	--------



T774	Upper isolation kit for modules 3 m long*	apiece
T770	Upper isolation kit for modules 6 m long*	apiece
T771	Upper isolation kit for modules 9 m long*	apiece
T772	Upper isolation kit for modules 12 m long*	apiece

* Always use the 7 faces reflecting sheet in case of upper insulation kit.



TPT	Lower protection grid for radiant tubes 3 m long	apiece
-----	--	--------

CODE	DESCRIPTION	
T601AL	Flanged stainless pipe Ø 89 mm 2,920 m long near the burner	apiece
T600AL	Flanged stainless pipe Ø 89 mm 5,840 m long near the burner	apiece
T605L	Flanged stainless pipe Ø 89 mm 2,920 m long for part with ex.bend	apiece
T606L	Flanged stainless pipe Ø 89 mm 5,707 m long for part with ex.bend	apiece

7.10 NICKEL-COPPER STEEL HEAT EXCHANGER PIPE

CODE	DESCRIPTION	
T601	Flanged nickel-copper steel pipe ø 89 mm 3 mt long	apiece
T600	Flanged nickel-copper steel pipe ø 89 mm 6 mt long	apiece
T605	Steel pipe Ø 89 mm 2,787 m long for part with expansion bend	apiece
T606	Steel pipe Ø 89 mm 5,707 m long for part with expansion bend	apiece

7.11 STAINLESS STEEL HEAT EXCHANGER PIPES AI

CODE	DESCRIPTION	
T601I	Tubo acciaio Ø 89 mm 2,920 m flangia 5 fori	al pezzo
T600I	Tubo acciaio Ø 89 mm 5,840 m flangia 5 fori	al pezzo

7.12 EXAMPLES OF VOLUMES NECESSARY FOR THE TRANSPORT OF MATERIAL [PANRAD]

FOR RADIANT TUBES PANRAD

3 METER WOODEN BOXES FOR SHIPPING PANRAD PARABLES IN 3 METER SHEETS

CODE	DESCRIPTION	
1248009	wooden box S (303 x 69 x 30 cm)	apiece
1248010	wooden box M (303 x 69 x 55 cm)	apiece
1248011	wooden box L (303 x 69 x 100 cm)	apiece



Combustion group packing:

The combustion groups are packed on 120 x 120 cm pallet.




Packaging tubes:

The tubes are packed on special wooden frames so they can be stacked one on top the other figure on the side.


7.12

GAS BURNER

PANRAD LINE ON/OFF

IMAGE	CODE	DESCRIPTION	POWER kW
	FRLA3	Lenght 12 m weight 108 kg	30
	FRLA4.1	Lenght 12 m weight 108 kg	35
	FRLA4	Lenght 12 m weight 108 kg	40
	FRLB3	Lenght 18 m weight 147 kg	30
	FRLB4	Lenght 18 m weight 147 kg	40
	FRLB4.1	Lenght 18 m weight 147 kg	45

PANRAD LINE 2 STAGES

IMAGE	CODE	DESCRIPTION	POWER kW
	FRLA3S2	Lenght 12 m weight 108 kg	20 - 30
	FRLA4.1S2	Lenght 12 m weight 108 kg	30 - 35
	FRLA4S2	Lenght 12 m weight 108 kg	30 - 40
	FRLB4S2	Lenght 18 m weight 147 kg	30 - 40
	FRLB4.1S2	Lenght 18 m weight 147 kg	30 - 45


Important:

For the fittings refer to the Panrad radiant tubes section.


7.13

ELECTRICAL BOARDS AND THERMOREGULATION


FRANET v 3.0

IMAGE	CODE	DESCRIPTION	
	1096421	Digital thermostat supplied with globe-probe compatible with Franet v.2 and Franet v.3	apiece
	1096422	Digital thermostat supplied with serial globe-probe compatible with Franet v.3 only	apiece
	SGCKWS	Franet plus web server	apiece

GATEWAY for SCADA systems

IMAGE	CODE	DESCRIPTION	
	1096421	Digital thermostat supplied with globe-probe compatible with Franet v.2 and Franet v.3	apiece
	1096422	Digital thermostat supplied with serial globe-probe compatible with Franet v.3 only	apiece
	1094085	Franet / modbus RS485 gateway till 32 GSR	apiece

COMMON ACCESSORIES

IMAGE	CODE	DESCRIPTION	
	1094081	Converter RS485/ethernet for Franet (except CRONO30 and Franet Lite)	apiece
	1094071	I-REPEATER amplifier for RS485	apiece
	1098902	Clock with daily and weekly adjustment	apiece

IMAGE

CODE

DESCRIPTION



R0271	Electrical board with 1 thermostat	apiece
R0272	Electrical board with 2 thermostats	apiece
R0273	Electrical board with 3 thermostats	apiece
R0274	Electrical board with 4 thermostats	apiece
R0275	Electrical board with 5 thermostats	apiece

ELECTRICAL PANELS ON/OFF

IMAGE

CODE

DESCRIPTION



R0271S2	Electrical board with 1 thermostat	apiece
R0272S2	Electrical board with 2 thermostats	apiece
R0273S2	Electrical board with 3 thermostats	apiece
R0274S2	Electrical board with 4 thermostats	apiece
R0275S2	Electrical board with 5 thermostats	apiece

ELECTRICAL PANELS WITH CLOCK ON/OFF

IMAGE

CODE

DESCRIPTION



R0271O	Electrical board with clock and Globe with 1 thermostat	apiece
R0272O	Electrical board with clock and Globe with 2 thermostat	apiece
R0273O	Electrical board with clock and Globe with 3 thermostat	apiece
R0274O	Electrical board with clock and Globe with 4 thermostat	apiece
R0275O	Electrical board with clock and Globe with 5 thermostat	apiece

ELECTRICAL PANELS WITH CLOCK TWO STAGES

IMAGE

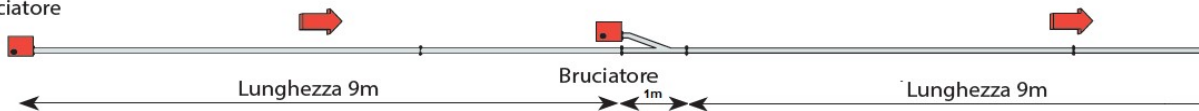
CODE

DESCRIPTION



R0271S2O	Electrical board with clock and Globe with 1 thermostat	apiece
R0272S2O	Electrical board with clock and Globe with 2 thermostat	apiece
R0273S2O	Electrical board with clock and Globe with 3 thermostat	apiece
R0274S2O	Electrical board with clock and Globe with 4 thermostat	apiece
R0275S2O	Electrical board with clock and Globe with 5 thermostat	apiece

Bruciatore



CODE	DESCRIPTION	POWER kW
FRRED4020G20	2 burners, total length 20m, weight 171 kq	80 (40x2)
FRRED4030G20	3 burners, total length 30m, weight 250 kq	120 (40x3)
FRRED4040G20	4 burners, total length 40m, weight 330 kq	160 (40x4)
FRRED4050G20	5 burners, total length 50m, weight 410 kq	200 (40x5)

7.15

PANRAD RED LINE COMBUSTION UNIT WITH BURNER

RED LINE ON/OFF

IMAGE



CODE	DESCRIPTION	POWER kW
FRRED20	model FRRED20 weight 11kg	20
FRRED30	Model FRRED20 weight 11kg	30
FRRED40	Model FRRED20 weight 11kg	40

RED LINE 2 STGES

CODICE	DESCRIZIONE	Potenza kW
FRRED20S2	Model FRRED20S2 weight 11kg	10 - 20
FRRED30S2	Model FRRED20S2 weight 11kg	20 - 30
FRRED40S2	Model FRRED20S2 weight 11kg	30 - 40

7.16

CENTRALIZED EXHAUST FAN FOR PANRAD R

CENTRALIZED EXHAUST FANS

IMAGE



CODE	DESCRIPTION	POWER
S205.1MF	Scroll diameter 220 mm, chimney connection diameter 80mm	0,18
S205.1TF	Scroll diameter 220 mm chimney connection diameter 80mm	0,18
S206.1MF	Scroll diameter 220 mm chimney connection diameter 100mm	0,24
S206.1TF	Scroll diameter 220 mm chimney connection diameter 100mm	0,24
S207.1MF	Scroll diameter 400 mm chimney connection diameter 100mm	1,1
S207.1TF	Scroll diameter 400 mm chimney connection diameter 100mm	1,1

N.B. The extractor fans are not supplied with the support bracket and the weather-proof external protection

IMAGE



CODE

DESCRIPTION

S610	S205 exhaust fan connection Ø89 mm with shutter 100 mm	apiece
S611	S206 exhaust fan connection Ø89 mm with shutter 100 mm	apiece
S613	S207 exhaust fan connection Ø89 mm with shutter 100 mm	apiece

7.18**PANRAD RED LINE COMPONENTS**

IMAGE

CODE

DESCRIPTION

T608	Flanged nickel-copper steel pipe ø 89 mm 1 mt long	apiece
T609	Flanged nickel-copper steel pipe ø 89 mm 2 mt long	apiece
T601	Flanged nickel-copper steel pipe ø 89 mm 3 mt long	apiece
T600	Flanged nickel-copper steel pipe ø 89 mm 6 mt long	apiece
S607	V pipe union in flanged nickel-copper steel, ø 89 mm	apiece
S608	T pipe union flanged nickel-copper steel, ø 89 mm	apiece
S609	90° U shaped flanged bend	apiece
S540	Combustion gases adjustment locking gate	apiece
S606	Flanged reduction to connect the exhaust fan to the radiating circuit	apiece
S800	Ceramic fibre gasket supplied with M8x20 bolts	apiece
S530	Galvanized supporting bracket with antivibration spring	apiece
T702	Standard aluminium reflecting sheet, 3 mt each	apiece
T713	High efficiency aluminium reflecting sheet, 3 mt each	apiece
S900	Stainless steel exhaust gas terminal provided with bird protective netting, 1 mt	apiece
TLRPT001VE	Protective painted grid for single radiant tube 3 m long	apiece
TK007	Vertical chimney kit for Red line with condenser	apiece

7.19**FITTINGS FOR PANRAD RED LINE**

IMAGE

CODE

DESCRIPTION

1025020	Ø 4 mm DIN chain	al metro
1027000	Ø 5/6 mm "S" hook	al pezzo
1144020	Black siliconic paint (ca. 17 gr. for linear meter)	al Kg
1143010	Siliconic varnish thinner (120 gr. per each kg. of varnish)	al Litro

FRANET v 3.0

IMAGE

CODE

DESCRIPTION



1096421

Digital thermostat supplied with globe-probe compatible with Franet v.2 and Franet v.3

apiece

1096422

Digital thermostat supplied with serial globe-probe compatible with Franet v.3 only

apiece

SGCKWS

Franet plus web server

apiece

GATEWAY for SCADA systems

IMMAGINE

CCODE

DESCRIPTION



1096421

Digital thermostat supplied with globe-probe compatible with Franet v.2 and Franet v.3

apiece

1096422

Digital thermostat supplied with serial globe-probe compatible with Franet v.3 only

apiece

1094085

Franet / modbus RS485 gateway till 32 GSR

apiece

COMMON ACCESSORIES

CODE

DESCRIPTION



1094081

Converter RS485/ethernet for Franet (except CRONO30 and Franet Lite)

apiece

1094071

I-REPEATER amplifier for RS485

apiece

1098902

Clock with daily and weekly adjustment

apiece

ELECTRICAL PANELS FOR REDLINE

IMAGE

CODE

DESCRIPTION



R0271RED

Electrical board with 1 thermostat

apiece

8.1 FRIGRAF COMBUSTION AND INTAKE GROUP

COMBUSTION AND INTAKE GROUPS WITH A SINGLE CASING FOR TANKS AND KILNS



CODE	DESCRIPTION	POWER kW	PRICE
FRIGRAF25	pipes diameter 89mm, weight 17kg, on/off	30	2.213,64 €
FRIGRAF35	pipes diameter 89mm, weight 17kg, on/off	40	2.319,72 €
FRIGRAF50	pipes diameter 114mm, weight 19kg, on/off	100	3.095,98 €
FRIGRAF25S2	pipes diameter 89mm, weight 17kg, two stages	20 - 30	2.385,34 €
FRIGRAF35S2	pipes diameter 89mm, weight 17kg, two stages	30 - 40	2.570,36 €
FRIGRAF50S2	pipes diameter 114mm, weight 19kg, two stages	50 - 100	3.347,97 €

Combustion and intake group, assembled in a single protective box painted into a lamp furnace containing a glazed steel burner with split flame Venturi type of different power depending on the required model, supplied with safety devices, centrifugal extractor with aluminium casting scroll, power supply switch with protection fuse carrier, working lights, flanges, bolts and ceramic fibre gaskets to connect ex-changer pipe.

8.2 IGRAF COMBUSTION GROUP

COMBUSTION GROUP FOR TANKS AND KILNS



CODE	DESCRIPTION	POWER kW	PRICE
FRI30	pipes diameter 89mm, weight 11kg, on/off	30	1.603,99 €
FRI50.1	pipes diameter 89mm, weight 12kg, on/off	50	1.699,15 €
FRI100	pipes diameter 114mm, weight 26kg, on/off	100	2.089,46 €
FRI30S2	pipes diameter 89mm, weight 11kg, two stages	20-30	1.841,32 €
FRI50.1S2	pipes diameter 89mm, weight 12kg, two stages	40-50	1.936,48 €
FRI100S2	pipes diameter 114mm, weight 26kg, two stages	70-100	2.282,38 €
FRI200S2	pipes diameter 165mm, weight 31kg, two stages	150-200	2.792,82 €
FRI300S2	pipes diameter 204mm, weight 40kg, two stages	200-300	3.637,30 €

Combustion group assembled in a protective casing in stainless steel AISI304 containing a glazed burner with split flame Venturi type of different power depending on the required model, supplied with safety devices, flanges, bolts and ceramic fibre gaskets to connect ex-changer pipe.



CODE	DESCRIPTION	POWER SUPPLY
S204	power 200W, chimney fitting 100mm e attacco chiocciola diametro 110mm; peso 9,5 kg	230V-50Hz

Centrifugal exhaust fan, fit to work at maximum fumes temperature of 350C°, supplied with electrical engine monophase or threephase with different power depending on the required model, aluminium casting scroll and wheel, fixing brackets, protective box for air presostat, box terminal board with internal wire and flanged reduction with bolts and ceramic fibre gaskets to connect ex-changer pipe.



CODE	DESCRIPTION	POWER SUPPLY
S205.1MF	centrifugal exhaust fan power 200W with chimney connection diameter 80mm and connection fan diameter 220mm; weight 11 kg	230V-50Hz
S205.1TF	centrifugal exhaust fan power 200W with chimney connection diameter 80mm and connection fan diameter 220mm; weight 11 kg	400V-50Hz
S206.1MF	centrifugal exhaust fan power 200W with chimney connection diameter 100mm and connection fan diameter 300mm; weight 15 kg	230V-50Hz
S206.1TF	centrifugal exhaust fan power 200W with chimney connection diameter 100mm and connection fan diameter 300mm; weight 15 kg	400V-50Hz
S207.1MF	centrifugal exhaust fan power 1100W with chimney connection diameter 100mm and connection fan diameter 400mm; weight 29 kg	230V-50Hz
S207.1TF	centrifugal exhaust fan power 1100W with chimney connection diameter 100mm and connection fan diameter 400mm; weight 29 kg	400V-50Hz

CODE	DESCRIPTION	POWER SUPPLY
S215.1TF	centrifugal exhaust fan power 1500W with chimney connection diameter 100mm and connection fan diameter 635mm; weight 47 kg	400V-50Hz
S221TF	centrifugal exhaust fan power 2200W with chimney connection diameter 100mm and connection fan diameter 635mm; weight 67 kg	400V-50Hz

Note:

Note: When exhaust fans are supplied, the supporting bracket and weatherprotection are not included.

all the burners and exhaust fans are ip44 class and therefore they must be protected

CODE	DESCRIPTION	
S610	S205 exhaust fan connection Ø89 mm with shutter 100 mm	
S611	S206 exhaust fan connection Ø89 mm with shutter 100 mm	
S613	S207 exhaust fan connection Ø89 mm with shutter 100 mm	
S618	S205 exhaust fan connection Ø114 mm with shutter 100 mm	
S619	S206 exhaust fan connection Ø114 mm with shutter 100 mm	
S621	S207 exhaust fan connection Ø114 mm with shutter 100 mm	
S622	S221 Exhaust fan connection with lock-gate Length 100 mm - Fitting 114 mm	
S623	S215 Exhaust fan connection with lock-gate Length 100 mm - Fitting 114 mm	

8.5 THERMOREGULATION

CODE	DESCRIPTION	
R027F1D/1	Electrical board for 1 Burner, n.1 digital thermostat 0\400°C	
R027F1D/2	Electrical board for 2 Burners, n.1 digital thermostat 0\400°C	
R027F1D/3	Electrical board for 3 Burners, n.1 digital thermostat 0\400°C	
R027F1D/4	Electrical board for 4 Burners, n.1 digital thermostat 0\400°C	



CODE	DESCRIPTION	
R027F1	Electrical board for 1 Burner, n.1 digital thermostat 0\99°C	
R027F2	Electrical board for 2 Burners, n.1 digital thermostat 0\99°C	
R027F3	Electrical board for 3 Burners, n.1 digital thermostat 0\99°C	
R027F10	Electrical board for 1 Burner, n.1 digital thermostat 0\99°C supplied with digital electronic clock	
R027F1DO/1	Electrical board for 1 Burner, n.1 digital thermostat 0\400°C supplied with digital electronic clock	



CODE

DESCRIPTION



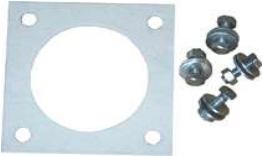
1065205	Standard flange for pipe Ø 89 mm in Fe	
T411	Standard flange for pipe Ø 89 mm in stainless steel	



1063301	Expander AISI 316 Ø75mm to be welded (coupling A304L belows A321)	
---------	---	--



T400AS	Expander AISI 316 Ø75mm to be welded (flange Fe belows A321)	
--------	--	--



S800	Ceramic fibre gasket supplied with M8x20 bolts	
S801	Ceramic fibre gasket 125x125x3 mm with bolts and screws in stainless steel	



S540	Combustion gases adjustment locking gate	
S542	Flanged lock-gate in Fe Ø 114 130 mm long	

DONNÉES TECHNIQUES

- > Tension nominale : 230, 400 V
- > Puissance : 3000 – 6000 W
- > Max. temp. élément : 750 °C
- > Couleur : panneau en acier galvanisé
- > Hauteur de montage : 3 - 9 m
- > Type de protection : IP 44
- > Raccordement fixe

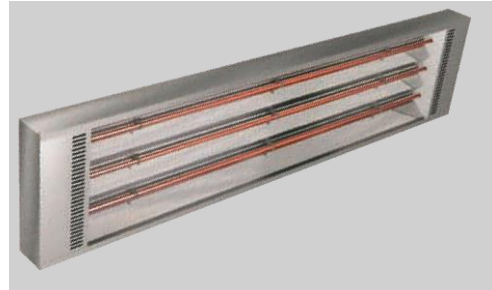
AVANTAGES DU PRODUIT

- + Pour le chauffage de vastes locaux aux plafonds hauts
- + Bonne distribution de chaleur
- + Boîtier inoxydable
- + Modèle robuste
- + Angle modifiable
- + Également adapté à l'extérieur

INFRAROUGE POUR ENTREPÔTS ET INDUSTRIE

QUARTZ INDUSTRIEL QIH

Industrie Radiateur infrarouge de plafond



Les chauffages à infrarouge IH sont conçus pour le chauffage intégral ou d'appoint de vastes locaux aux plafonds hauts. Ces chauffages conviennent aussi à un usage extérieur, par exemple pour la mise hors gel de tribunes sportives ou de quais d'embarquement. Design industriel solide : Réflecteurs en aluminium anodisé poli pour une répartition optimale de la chaleur.

Radiateur infrarouge de plafond IH, 230 V, IP 44

Type	Puissance (W)	Tension (V)	Longueur (mm)	Largeur (mm)	Hauteur (mm)	Poids (kg)
QIH-3000	3000	230/400	1030	300	80	5,5
QIH-4500	4500	400	1360	300	80	7,0
QIH-6000	6000	400	1680	300	80	8,5
QIHG-3000	Grille de protection pour 3000					
QIHG-4500	Grille de protection pour 4500					
QIHG-6000	Grille de protection pour 6000					
QT-KRTV-19	Thermostat à tube capillaire pour le chauffage de locaux, 0 - 40 °C, 230/400 V, 16/10 A, IP 44					
QT-S123	Commutateur 3 groupes					

INDUSTRIE 3000W / 4500W / 6000W

Elektrisch stralingspaneel

Montagehandleiding

panneau de rayonnement électrique

Instructions de Montage



Fig.1

Fig.2

Fig.3

Fig.4a

Fig.4b

Type	Output	Voltage	Current	L	W	H	C/C	Kg
EIR3000	3000W	400V3N~	4.33A	1030	300	80	650	5.5
EIR4500	4500W	400V3N~	6.50A	1360	300	80	820	7.0
EIR6000	6000W	400V3N~	8.66A	1680	300	80	1030	8.5

Fig.1 - Factory Default

Fig.2 - Rewired and connected to 230V 1~

Bedradingsinstructie

Om de INDUSTRIE op 230V aan te sluiten, moet u de interne bedrading (rode lijnen) wijzigen en verbinden volgens afb. 2

Instruction de recâblage



Afin de connecter INDUSTRIE sur du 230V, veuillez changer le câblage interne (lignes rouges) et connecter conformément à la Fig 2



INDUSTRIE est adapté pour une installation fixe par un électricien selon les réglementations locales en vigueur.
L'application doit être commutée au moyen d'un interrupteur bipolaire de moins 3mm distance de contact.
Classe de protection et Indice de protection: Classe I - IP44

- 1.) Le INDUSTRIE peut être monté sur les murs ou le plafond (horizontal).
La hauteur de fixation minimale est de 2,3 mètres. Les distances minimale est 2,3 mètres.
Les distances minimales selon la fig. 1 doivent être respectées.

ATTENTION! Le radiateur infrarouge ne doit jamais être recouvert ou dirigé vers des pièces combustibles.
Les chauffages fixes ne doivent pas être montés devant une prise de courant.
- 2.) Un jeu de supports de montage est inclus avec la livraison.
La distance d'installation "C/C" doit être respectée, voir la fig.2 et le tableau.
Les supports peuvent être tournés pour un montage mural.
Il y a deux trous de montage par support de montage (plafond).
"D" est la distance entre les trous (fig.3).
Le support de montage "FB" sur le chauffage est destiné à être fixé aux supports de plafond/mur.
- 3.) Des ensembles optionnels sont disponibles qui permettent à l'INDUSTRIE d'être abaissée au plafond au moyen de chaînes.
- 4.) Deux entrées de câble "CG" (fig.2) sont situées en haut du radiateur infrarouge, avec lesquelles différentes options de connexion sont possibles. La connexion est faite sur un bloc de connexion de 16 mm² (fig. 4a).
En connectant de cette manière, un élément chauffant peut être commuté en trois capacités différentes.
Protéger le câble de connexion contre le contact avec les parties chaudes.

REMARQUE! le radiateur infrarouge peut être connecté à 230V en connectant les pôles 2 et 3.
Cependant, cela peut conduire à un bourdonnement, ce qui peut être gênant dans les pièces calmes.
- 5.) Lors de la première mise en marche du chauffage infrarouge ou après une longue période d'inutilisation, de la fumée ou des odeurs peuvent être émises par le radiateur infrarouge.
Ceci est causé par la poussière et la saleté qui s'est accumulée sur la surface. Ceci est normal et ne peut pas blesser.
- 6.) Comme avec tous les appareils électriques, des bruits de cliquetis peuvent se produire en raison de la dilatation et de la contraction causées par la chaleur.
- 7.) Le panneau chauffant peut se décolorer après sa première mise en marche et pendant sa durée de vie.
Cela dépend de la situation environnementale et est un phénomène normal.
De la aérosols, du vernis, des solvants, de la poussière et de la saleté peuvent se déposer sur le panneau chauffant, ce qui peut entraîner une décoloration. Cela n'affecte pas le fonctionnement du radiateur infrarouge.
L'appareil doit être éteint pendant les travaux de peinture et de séchage.
- 8.) Si vous nettoyez le radiateur infrarouge, assurez-vous qu'il est éteint et que l'élément a refroidi.
Utilisez un chiffon pour nettoyer le boîtier et une brosse pour le réflecteur.
- 9.) Si le remplacement de l'élément chauffant est requis, cela peut être réalisé sans démonter le chauffage infrarouge complet.
Dévissez le boîtier, fermez le câble de connexion et remplacez l'élément.
- 10.) Infos sur la consommation d'énergie.
En conjonction avec un thermostat conforme à l'éco-conception, le produit est conforme à la réglementation de l'EU sur la directive relative à la conception écologique de produits (ERP). 
- 11.) Sécurité 
 - * Un 300 mA est recommandé comme dispositif de courant résiduel.
 - * Attention - Surface chaude! Ne touchez pas le radiateur plafond lorsqu'il est utilisé!
 - * Ne couvrez pas le radiateur plafond! Risque d'incendie!
 - * L'appareil de chauffage plafond ne peut être utilisé que par des enfants de plus de 8 ans et par des personnes ayant des fonctions mentales ou physiques limitées uniquement sous supervision ou quand on leur a appris à utiliser l'appareil en toute sécurité et à comprendre les dangers associés à son utilisation. Les enfants ne doivent pas jouer avec l'appareil.
Le nettoyage et l'entretien ne doivent pas être effectués par des enfants sans surveillance.

Radiateur infrarouge premium sans et avec commande intégrée



Le nouveau radiateur infrarouge premium est spécialement conçu pour une utilisation en extérieur comme les terrasses, balcons, restaurants ou chalets. En raison de sa longueur d'ondes, le rayonnement thermique infrarouge à ondes courtes très puissant traverse l'air de manière particulièrement efficace, procure très rapidement une sensation de chaleur perceptible et garantit une exploitation très économique par rapport aux radiateurs à gaz ou aux parasols chauffants. Les radiateurs infrarouge peuvent être utilisés en extérieur de manière particulièrement flexible et ne nécessitent aucun entretien.

EXO PRO est disponible en option avec un variateur radio intégré permettant de commander le radiateur aisément à l'aide d'une télécommande et de le régler sur trois niveaux (33/66/100%). L'appareil est en aluminium inoxydable de haute qualité et protégé contre les jets d'eau grâce à un indice de protection IP 65, ce qui permet une utilisation tout au long de l'année. Le tube chauffant en carbone innovant assure une puissance thermique maximale avec une lumière résiduelle minimale et affiche une durée de vie au-dessus de la moyenne de 10 000 heures. Il est entouré par le réflecteur, de sorte que la chaleur est diffusée de manière ciblée vers l'avant.

DONNÉES TECHNIQUES

- > Tension nominale : 230 V
- > Tube chauffant : tube en carbone premium
- > Puissance : 2000/2500 W
Ø Durée de vie du tube 10.000 h
- > Couleurs : blanc RAL 9016, noir RAL9011
- > Bouton Marche/Arrêt : non
- > Indice de protection : IP 65
- > Raccordement : câble d'alimentation 180 cm
- > Garantie : 5 ans

AVANTAGES DU PRODUIT

- + Densité thermique maximale grâce au tube infrarouge en carbone premium innovant
- + Aucune lumière de rayonnement visible pendant le fonctionnement
- + Durée de vie extrêmement longue du tube infrarouge en carbone premium
- + Pour montage mural et au plafond
- + Système de montage simple et rapide à l'aide de deux supports basculants en T
- + Version RC réglable avec télécommande
- + Version RC avec 3 niveaux (33 % / 66 % / 100 %)

DOMAINE D'UTILISATION

- + Zones extérieures, par ex. terrasses, balcons, jardins, terrains de camping, maisons de vacances ou gastronomie
- + Surface chauffée : jusqu'à 16 m² pour 2000 W
jusqu'à 18 m² pour 2500 W

ETHERMA EXO PRO Radiateur infrarouge premium

CR : R2 | DL

Type	N° d'art.	Puissance (W)	Largeur (mm)	Hauteur (mm)	Profondeur (incl.supp.) (mm)	Poids (kg)
ET-EXO-PRO-2000-W	45000	2000	830	155	111 (250)	5,00
ET-EXO-PRO-2000-B	45001	2000	830	155	111 (250)	5,00
ET-EXO-PRO-2500-W	45002	2500	930	155	111 (250)	5,67
ET-EXO-PRO-2500-B	45003	2500	930	155	111 (250)	5,67

ETHERMA EXO PRO RC Radiateur infrarouge premium avec interrupteur et commande radio intégrée

CR : R2 | DL : de stock

Type	N° d'art.	Puissance (W)	Largeur (mm)	Hauteur (mm)	Profondeur (incl.supp.) (mm)	Poids (kg)
ET-EXO-PRO-2000RC-W	45006	2000	830	155	111 (250)	5,23
ET-EXO-PRO-2000RC-B	45007	2000	830	155	111 (250)	5,23
ET-EXO-PRO-2500RC-W	45008	2500	930	155	111 (250)	5,90
ET-EXO-PRO-2500RC-B	45009	2500	930	155	111 (250)	5,90

W : Blanc B : Noir

Accessoires

CR : A8 | DL : de stock

Type	N° d'art.	Description
ET-RC-EXO-RC	45050	Télécommande radio
ET-LM-EXO-PRO-2000	45040	Tube carbone de 2000 W pour radiateur infrarouge
ET-LM-EXO-PRO-2500	45041	Tube carbone de 2500 W pour radiateur infrarouge

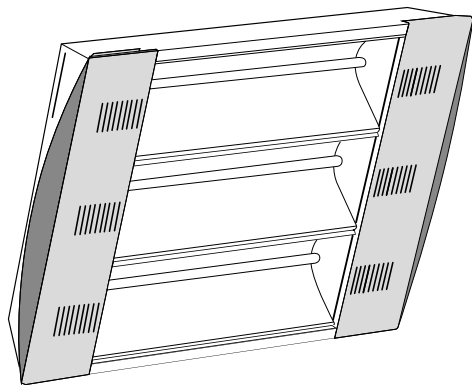


En option : télécommande sans fil 4 canaux

IRC NOVUS

nouveau

Infrarouges
Longue portée

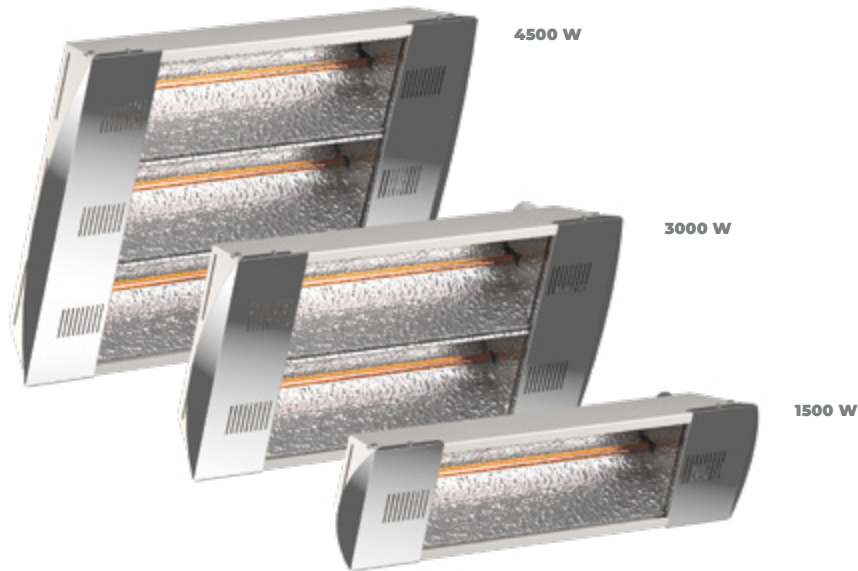


CAS D'USAGE

- ▶ Entrepôts
- ▶ Ateliers
- ▶ Lieux de culte
- ▶ ...



Objectif : chauffage localisé des postes de travail



LES ATOUS

- ▶ **Lampe HeLen** : chauffe rapide et efficace, grande longévité.
- ▶ **Large gamme** : 3 puissances disponibles pour s'adapter aux différents besoins .

Ils chauffent même les environnements les plus difficiles

Le rayonnement longue portée concentré par réflecteur est la solution la plus efficace pour le **chauffage à grande hauteur de zones réputées inchauffables**. C'est pour cette raison qu'on trouve l'IRC dans les églises, les terrasses de café, les usines, etc.

Ils diffusent une chaleur localisée et confortable

90% du rayonnement est dirigé de façon concentrée vers le poste ou la zone à chauffer, ce qui permet de lutter contre l'inconfort quelle que soit la situation. **La sensation de chaleur est instantanément perceptible.**

Ils sont faciles à installer

L'IRC dispose d'un support multidirectionnel qui permet une fixation au mur ou au plafond pour **une orientation horizontale ou verticale à 180°**.

Ils sont conçus pour durer

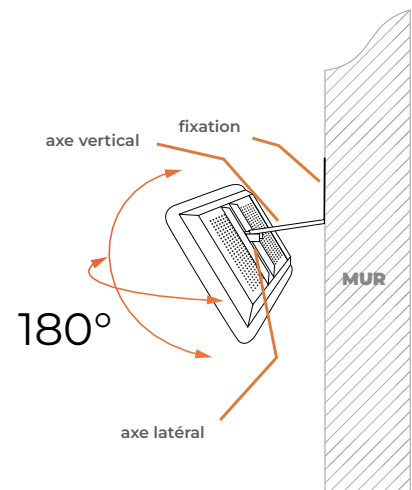
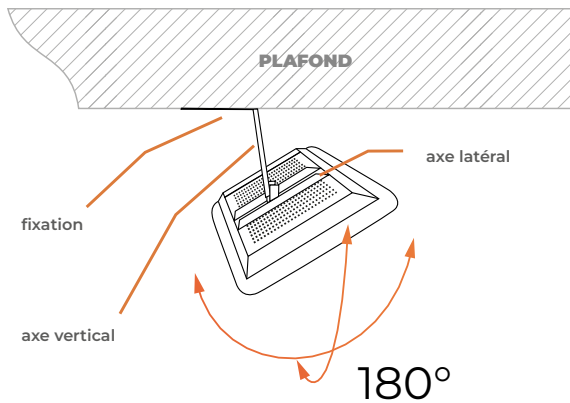
Robuste, leur carrosserie est en acier époxy gage d'une grande longévité. **Une grille de protection** est également proposée (en option) pour protéger l'appareil des chocs et le sécuriser lorsqu'il est à portée de main.

IRC NOVUS

Infrarouges
Longue portée

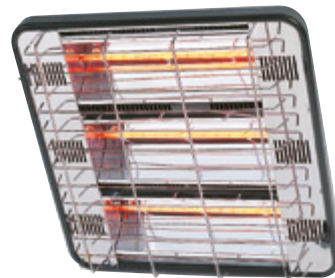
Un support universel multiposition, pratique et simple à installer

Grâce à son support spécial multiposition qui se pose au mur comme au plafond, l'appareil peut être orienté dans tous les sens, horizontalement comme verticalement afin d'optimiser le flux de rayonnement.



La grille de protection (en option)

Elle protège les appareils lorsqu'ils sont installés dans un environnement à risque tel que les salles de sport ou à proximité de lieux de passage.



Visuel non contractuel

Détermination de la puissance à installer

Pour sélectionner les appareils, vous devez tenir compte de leur hauteur et de leur mode d'installation ainsi que de la puissance nécessaire en fonction du type de locaux.

- 150 à 300 W/m² dans les locaux fermés

- 300 à 600 W/m² en extérieur abrité

Déterminez le type d'IRC à installer à l'aide du tableau ci-contre :

- IRC installation horizontale
- IRC installation à 45°

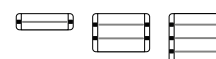
IRC installation horizontale

Puissance surfacique W/m ²	Hauteur en mètres										
	3	3,5	4	4,5	5	5,5	6	6,5	7	7,5	8
150	1500	1500	1500	1500	1500	3000	3000	3000	3000	4500	4500
200	1500	1500	1500	1500	3000	3000	3000	4500	4500	4500	4500
250	1500	1500	1500	3000	3000	4500	4500	4500	4500	4500	4500
300	1500	1500	3000	3000	4500	4500	4500	4500	4500	4500	4500
350	1500	3000	3000	4500	4500	4500	4500	4500	4500	4500	4500
400	1500	3000	4500	4500	4500	4500	4500	4500	4500	4500	4500
450	3000	3000	4500	4500	4500	4500	4500	4500	4500	4500	4500
500	3000	3000	4500	4500	4500	4500	4500	4500	4500	4500	4500
550	3000	4500	4500	4500	4500	4500	4500	4500	4500	4500	4500
600	3000	4500	4500	4500	4500	4500	4500	4500	4500	4500	4500

IRC installation à 45°

Puissance surfacique W/m ²	Hauteur en mètres										
	3	3,5	4	4,5	5	5,5	6	6,5	7	7,5	8
150	1500	1500	3000	3000	4500	4500	4500	4500	4500	4500	4500
200	1500	3000	3000	4500	4500	4500	4500	4500	4500	4500	4500
250	3000	3000	4500	4500	4500	4500	4500	4500	4500	4500	4500
300	3000	4500	4500	4500	4500	4500	4500	4500	4500	4500	4500
350	4500	4500	4500	4500	4500	4500	4500	4500	4500	4500	4500
400	4500	4500	4500	4500	4500	4500	4500	4500	4500	4500	4500
450	4500	4500	4500	4500	4500	4500	4500	4500	4500	4500	4500
500	4500	4500	4500	4500	4500	4500	4500	4500	4500	4500	4500
550	4500	4500	4500	4500	4500	4500	4500	4500	4500	4500	4500
600	4500	4500	4500	4500	4500	4500	4500	4500	4500	4500	4500

RÉFÉRENCES IRC NOVUS



Puissances (W)	L x H x Ep* (mm)	Poids (kg)	Références réflecteur martelé
LAMPE HELEN			
1500	531 x 146 x 130	2,2	M167223
3000	531 x 263 x 130	3,6	M167226
4500	531 x 389 x 130	5,0	M167228

Les puissances supérieures se font par addition de modules : exemple : 9 kW = 2 x 4,5 kW - Couleur du chassis : Blanc mimétique RAL9002

* Sans le support d'installation

Accessoires	Références
Grille de protection pour 1500 W	M090050
Grille de protection pour 3000 W	M090051
Grille de protection pour 4500 W	M090052



Tension tous modèles : Mono 230 V
Modèle 4500 W : Mono 230 V,
Tri 230 V et Tri 400 V

Classe I
IP22 - IK08**

Garantie 2 ans

** Avec grille de protection